

IP WatchDog

Independent dual monitoring of Ethernet and serial devices.

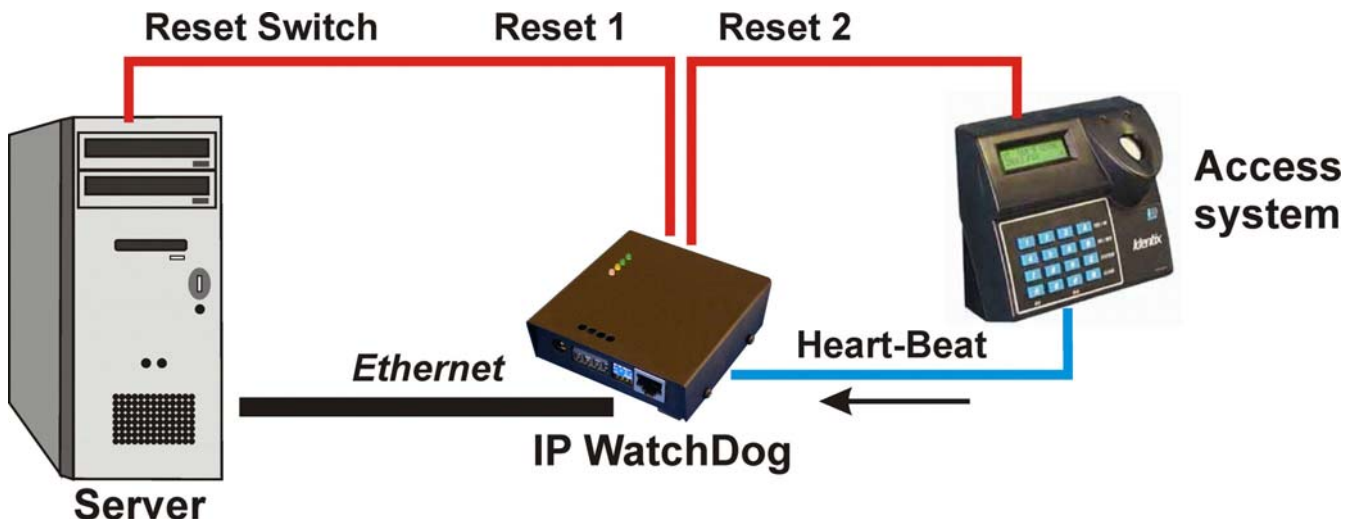
IP WatchDog monitors functionality of serial (RS-232) devices using PING, WWW page detection, or receiving data from the serial port. If a preset function was not executed within a specified time period, IP WatchDog will RESET the device (or switch to a back-up communication circuit, set off an alarm etc.)



Typical applications represent autonomous monitoring of the servers' function, network connection, microwave connection, IP cameras and similar devices.

Usage examples

The IP WatchDog, as fully autonomous device, is perfect for supervision or restart of the network infrastructure on the opposite side. Very common is using WatchDog for watching function of the IP cameras using their integrated WWW interface.

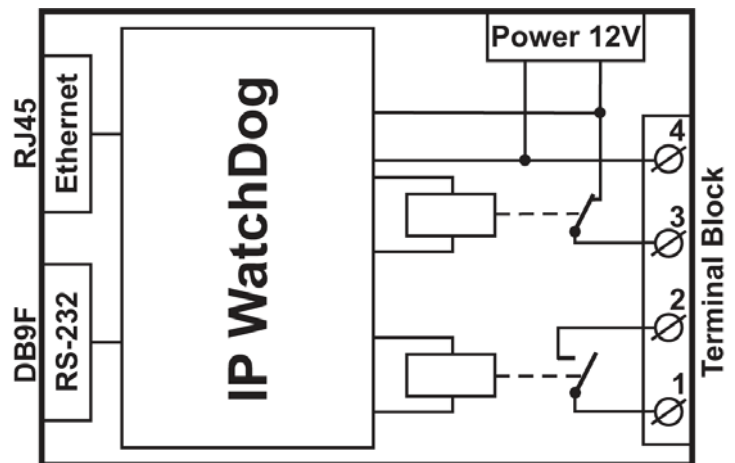


Two independent channels can be used individually for controlling different devices.

- Server and router monitoring;
- Monitoring of a network infrastructure as a whole;
- ADSL and cable modem supervision;
- WIFI AP monitoring;
- Security and access systems;
- Activation of backup connection in case of network connectivity dropout.

Methods of device monitoring

- Monitoring using **outgoing PING** (For example an alternative IP address can be entered for monitoring the function of a network line)
- Monitoring using **incoming PING**. (Range of allowed IP addresses can be defined.)
- Monitoring function of the HTTP servers by **requesting a WWW page**.
- Monitoring function of the HTTP clients by **providing a WWW page**.
- Monitoring the data flow of the serial RS-232 line by **awaiting specific character string**.



Basic Features

- **Ethernet** - RJ45 (10BASE-T - IEEE 802.3).
- 2x serial RS-232 port
- **Two independent relays** for **reset / shutdown / startup**.
- **Manual remote control** (startup / shutdown / restart) of the monitored devices. Possible password protection
- **IP WatchDog logfile** – accessible over WWW and XML
- **Time synchronization** from internet / intranet using TIME, NTP/SNTP or DayTime protocols.
- **Device configuration via WWW pages**.
- **Possible pins configurations** for every output channel:
 - **NO** - Normally Open (relay contact)
 - **NC** - Normally Close (relay contact)
 - **PO** - Normally Power On (Output for direct power supply)
 - **PF** - Normally Power Off (Output for direct power supply)

Note: Output configuration of both channels is specified when ordering the product, according to the ordering number.

- **Manual relay control** via WWW interface (password protected).
- **Security** guaranteed using user passwords and range of allowed IP addresses.
- **FirmWare Update** can be performed via WWW interface.
- **Software support:** SDK and wide range of examples for Windows and Unix/Linux.
- Power supply: 9-15 V DC
- Dimensions: 25 x 82 x 90 [mm]

IP-WatchDog

