

Poseidon model 1250

Measurement of temperature and others sensors over the network.

The Poseidon model 1250 can send email when sensor's temperature gets out of defined range or when connected contacts switch on/off. It supports e-mail, WWW graphical interface and also network protocols (SNMP, XML, Modbus/TCP and others).

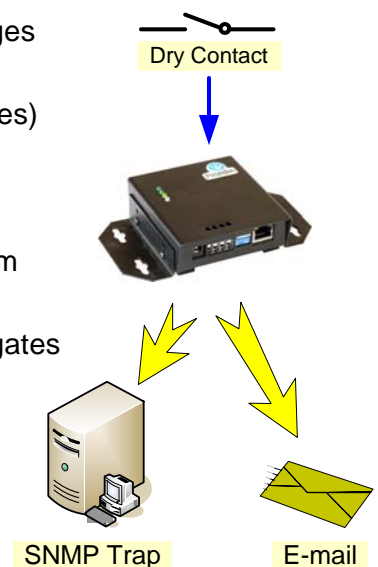


Configuration and actual sensors' values over graphical WWW interface.

- **3x inputs** to connect contacts
- **RJ12 1-Wire bus** up to 10 sensors (temperature or humidity) up to 10 meters
- **RJ45 RS-485 bus** up to 31 sensors (temperature, humidity, voltage 0 to 5V, current 0 to 20mA, impulses, wattage, current consumption and air-flow) over distance of up to 1000 meters.

Application examples

- IT monitoring of sensors (humidity, door, motion detector, dangerous gas)
- Monitoring and logging of storage services, cold storages, freezers and fridges (food industry, pharmacy)
- Monitoring of network devices (microwave connections, AP, distribution boxes)
- Camera systems (door-contacts, PIR sensors.)
- IT – monitoring of server rooms, 19" rack, UPS (IT and ICT)
- Supervising of air-conditioning – temperature and condensed water leak from air-conditioning
- Monitoring of environment in UPS, back-up power supply and Diesel-aggregates rooms and Diesel-aggregates over SNMP
- Extensive buildings – heating optimization (temperature measuring), stop contacts, EZS, EPS)
- Connecting of external values inputs into SCADA systems
- Monitoring system for information points, ATM, terminals, transmitters



Value sensors

- **Temperature** (up to 42 sensors, temperature range -55 °C to +640 °C, Sensor-unit distance up to 1 000 meters)
- **Humidity** (up to 25 sensors, maximum sensor distance: 1 000 meters)
- **General sensors**
 - Voltage (0 to 10V and 110/230V)
 - Current (0 to 20mA and 230V)
 - Flood (surface detector)
 - Air flow
 - Motion and location
 - Smoke and gas
 - Declination
 - Closing/opening door
 - General contact

Basic features

- **Graphical WWW interface** for setup.
- No special SW necessary
- One Poseidon 1250 monitors up to **42 external sensors**.
- **Alarm state** reporting - **Email, SNMP Trap, SMS** (over supplied SW).
- Large sensor assortment, from very cheap sensors to professional industrial sensors, sensor distance up to 1 000 meters.
- Opened communication protocols (**SNMP, XML, Modbus/TCP** and others)
- **Security** ensured by password, IP address range, HW protection from onfiguration change.
- The Poseidon 1250 directly controls two relays.
- Support and plug – in modules for many NMS applications (LoriotPro, HP, OpenView, Nagios, IBM, Tivoli, SNMPc, MRTG and others).
- Supported programs and utilities (PN Eye, **Pos-Excel, Alarm Forwarder** and others)
- We supply programs for food industry (**CapTemp**), IT monitoring (**nmsDashboard**) and others
- **SDK** (Software Development Kit) SW development libraries + examples (**VB, Delphi, C, C#** etc.)

The screenshot shows the 'Dry Contact Inputs' configuration screen with the following table:

Name	Number	Current Value	Alarm State
Input 1	1	0 (Off)	Inactive
Input 2	2	0 (Off)	Active if On
Input 3	3	0 (Off)	Active if On

Below this is the 'Sensors' configuration screen with the following table:

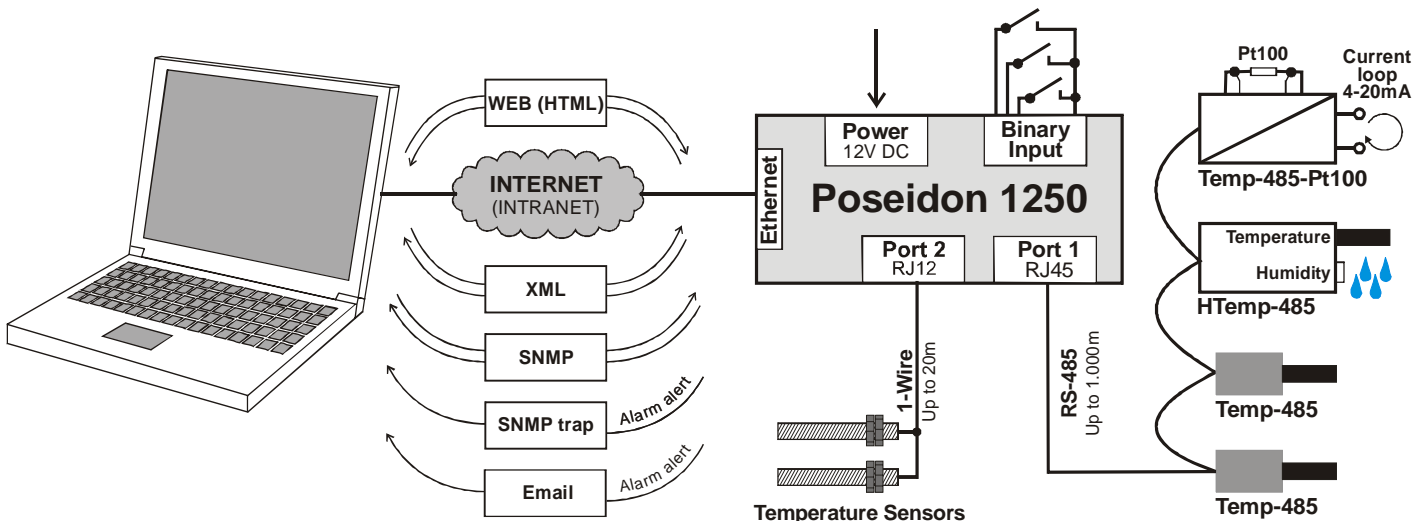
Name	Sensor ID	Current Value	Safe Range	Hysteresis	Out of Safe Range SNMP Trap	Out of Safe Range Email & SMS
Sensor 240	18176	23.8 °C	10.0 - 60.0	0.0	<input type="checkbox"/>	<input type="checkbox"/>
Sensor 241	39680	24.2 %RH	10.0 - 60.0	0.0	<input type="checkbox"/>	<input type="checkbox"/>
Sensor 242	17152	25.0 °C	10.0 - 60.0	0.0	<input type="checkbox"/>	<input type="checkbox"/>
Sensor 243	26368	23.5 °C	10.0 - 60.0	0.0	<input type="checkbox"/>	<input type="checkbox"/>
Sensor 240	29696	41.7 %RH	10.0 - 60.0	0.0	<input type="checkbox"/>	<input type="checkbox"/>
Sensor 16	66 (B)	24.5 °C	20.0 - 28.0	0.0	<input checked="" type="checkbox"/>	<input type="checkbox"/>
Sensor 17	98 (b)	46.2 %RH	30.0 - 800.0	0.0	<input checked="" type="checkbox"/>	<input type="checkbox"/>

WWW interface screen - Flash Setup

- The Poseidon 1250 directly controls two relays.
- Support and plug – in modules for many NMS applications (LoriotPro, HP, OpenView, Nagios, IBM, Tivoli, SNMPc, MRTG and others).
- Supported programs and utilities (PN Eye, **Pos-Excel, Alarm Forwarder** and others)
- We supply programs for food industry (**CapTemp**), IT monitoring (**nmsDashboard**) and others
- **SDK** (Software Development Kit) SW development libraries + examples (**VB, Delphi, C, C#** etc.)

Control

- **Network communication protocols**
 - Web (HTML)
 - XML
 - Modbus/TCP
 - SNMP
 - TCP/IP, UDP/IP
- **Alarm alert**
 - **E-mail** (SMS over SW)
 - **SNMP Trap**
- **Configuration**
 - Serial port RS-232
 - WEB graphical interface (Flash Setup)
 - TELNET (TCP Setup)
 - UDP broadcast (UDP Setup)
- **Status indicators**
 - LED: Alarm, Sensor, Power, Link
- **Outputs**
 - 2 outputs for relay control



Start sets

Poseidon 1250 Tset

- Poseidon unit, model 1250 [600 006]
- Temperature sensor – Temp- 1Wire [600 005]
- Door contact [600 119]
- Power adaptor [600 080]
- Manual – “Starting Guide” – Poseidon 1250 Tset”
- CD with documentation, FirmWare versions, test utilities and others SW.



Poseidon 1250 THset

- Poseidon unit, model 1250 [600 006]
- HTemp-485 temperature/humidity sensor [600 106]
 - Sensor RJ45 MIDDLE cable [600 233]
- Door contact [600 119]
- Power adaptor [600 080]
- Manual – “Starting Guide” – Poseidon 1250 Tset”
- CD with documentation, FirmWare versions, test utilities and others SW.



OID	Product name	Product description
600 006	Poseidon model 1250	Poseidon unit 1250
600 042	Poseidon 1250 Tset	Start set Poseidon 1250, power adaptor, CD, temperature sensor
600 043	Poseidon 1250 THset	Start set model 1250, power adaptor, temperature and humidity sensors

Other accessories

600 080	Wall power adaptor 12V	Power adaptor 0.5A for EU plug (UK = 600 082, US = 600 081)
600 251	Back-Up power supply 12V	Power supply 12V / 0.4 A backed up by accumulator
600 023	2x Wall Bracket “A” size	Lateral “L” plates, for wall mounting.



Poseidon T-Box
600 040



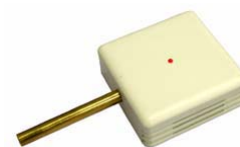
Temp-1Wire 1m
600 242



Poseidon S-Hub
600 041



Temp-485-Pt100 „Box“
600 113



Temp-485
600 105

Sensors for Poseidon 1250

1-Wire bus (RJ12)

Up to 10 sensors connected en bloc, maximum total bus length is 10m

600 005	Temp-1Wire 3m	Temperature sensor, connecting cable 3m (1m=600 242, 10m=600 056)
600 279	Humid-1Wire 3m	Humidity sensor, connecting cable 3m (1m = 600 278)
600 040	Poseidon T-Box	Hub for connection of 5 RJ12 sensors to the unit
600 280	Poseidon T-Box2	Hub for connection of 2 RJ12 sensors to the unit cable 3m

RS-485 bus (RJ45)

Up to 31 sensors connected en bloc, maximum total bus length is 1000m

600 041	Poseidon S-Hub	Hub for connection up to 8 sensors over RS-485 bus (8x RJ45)
600 233	Sensor RJ45 MIDDLE cable	Cable of 0.5m (RJ45 plug / 4 wires for the terminal block)
600 044	Poseidon B-Cable	Converter for the RS-485 bus RJ45 socket / 4 terminal pins (A,B,+,-)
600 273	Spider-485	Connects up to 4x 1-Wire (RJ12) sensor over RS 485 bus
600 105	Temp-485	Temperature sensor – indoor vertical wall mounting
600 106	HTemp-485	Temperature and humidity sensor – indoor vertical wall mounting
600 116	Sens-485-UI	Voltage (0..15V) and current sensor (0..25mA), DIN rail version
600 113	Temp-485-Pt100 „Box“	Platinum temperature sensor, accuracy: ± 0.15 °C, IP65 for outdoor use
600 114	Temp-485-Pt100 „Cable“	Pt100 – platinum temperature sensor, cable 2m, accuracy: ± 0.2 °C
600 112	Temp-485-2xPt100 „DIN“	Converter for 2 external temp. sensors Pt100, mounting on DIN rail

Digital outputs (DB9)

Two outputs of serial interface RS-232.

600 244	P1250 RC (Relay Cable)	Converter for two relays (12V coil) for the Poseidon 1250 over RS-232
600 237	PowerEgg	Control of AC output (110 up to 230V)
600 085	DIN Rail Relay 2s	Switch relay on DIN rail – 10A / LED indicator

Binary inputs (terminals)

Three inputs for the connection of 'Dry Contact' sensors

600 120	3 Door Contacts	Detector of opening/closing door (packet of 3 pieces)
600 237	PowerEgg	Detection of AC voltage (110/230V), controllable AC output (110/230V)
600 240	Flood detector	Flood detector
600 235	Smoke detector	Ionic smoke detector
600 239	Gas Leak Detector 12V	Flammable gas detector
600 236	Motion PIR detector	Infrared motion detector